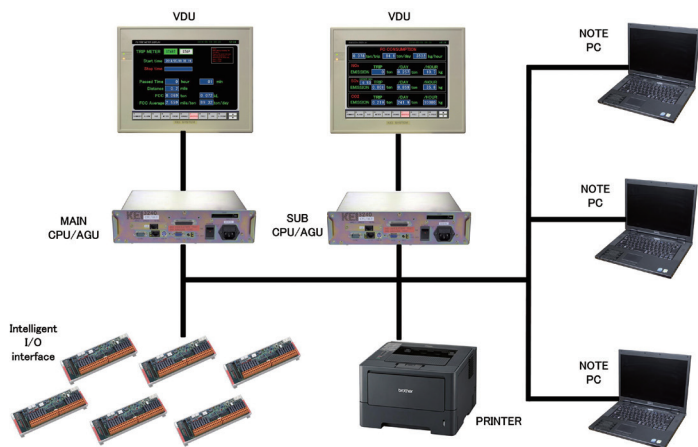


Engine Telegraphs & Loggers

KEIsystem KEI SYSTEM CO., LTD.

<http://www.kei-system.co.jp/indexe.html>

Fuel consumption meter



Our data logger system is possible to display the following information by connecting with GPS by serial communication. Confirm the fuel cost in real time inbound.

- Fuel consumption rate per day. (Tonnage)
- Distance of cruise per a ton of fuel. (Mile)
- Fuel consumption rate per hour.
- Possible to display and to record the fuel consumption rate etc. per a navigation.

INQUIRIES

1-5, 1-Chome, Ikunonishi, Ikuno-Ku, Osaka, 544-0024, Japan
Tel : +81-6-6712-1151 Fax : +81-6-6712-1311
E-mail : info3@kei-system.co.jp