

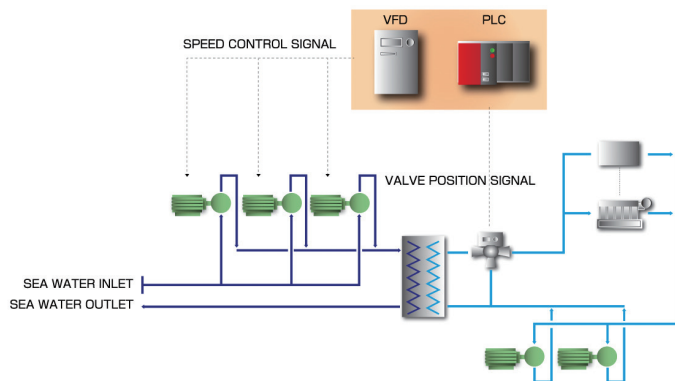
Energy saving frequency drive control for cooling sea water pump

Control Systems & Equipment

JRCS JRCS MFG CO., LTD.

http://www.jrcs.co.jp/index_e.html

J-S / Eco (JRCS Smart Eco system)



J-S / Eco applies a smart frequency drive system which controls the speed of the motor of the main cooling sea water pumps at the most efficient point. It enables to reduce the power consumed by the motors to the minimum level, resulting in reduction of the vessel's fuel consumption. The equipment is specially designed for marine application for its harsh environment with long term guarantee by JRCS making sure that the ship owners recoup the initial investment back as fast as possible.

INQUIRIES

JRCS MFG. CO., LTD / Toyoura Plant

2155 Kawatana, Toyoura-cho, Shimonoseki,
Yamaguchi, 759-6301, Japan.

Tel : +81-83-775-2027 Fax : +81-83-775-2022

E-mail jrcs@jrcs.co.jp