

No. 3



# IHI POWER SYSTEMS CO., LTD.

<https://www.ihico.jp/ips/english/>

14-5, Sotokanda 2-Chome, Chiyoda-ku, Tokyo 101-0021 Japan

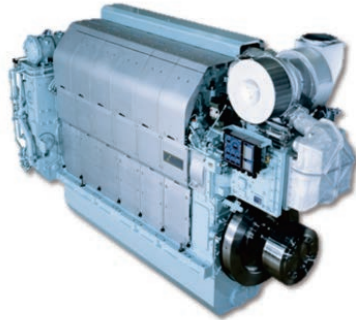
Tel : +81-3-4366-1226 / Fax : +81-3-4366-1310 / E-mail : ips-info\_sales1@ihi-g.com

AHTS	PSV	FPSO	Drill Ship	Semi-sub
▶	▶	▶	▶	▶

## Product

### Propulsion Diesel Engines, Auxiliary Diesel

Output 750kWm to 6660kWm per unit  
Medium Speed Marine Diesel Engine,  
Dual Fuel Engine, Generator Set



## After-sales service

<https://www.ihico.jp/ips/english/afterservice.html>

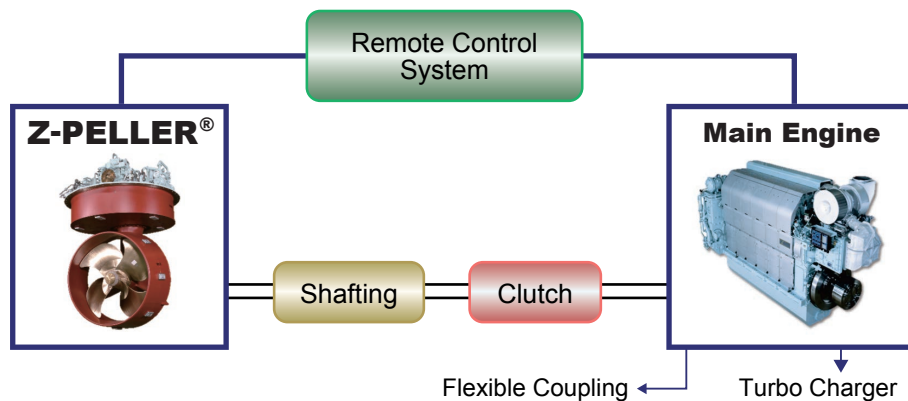
## Record

Tug, Offshore Support Vessel, Work Boat, Ferry, Patrol Vessel, Carrier

## Package

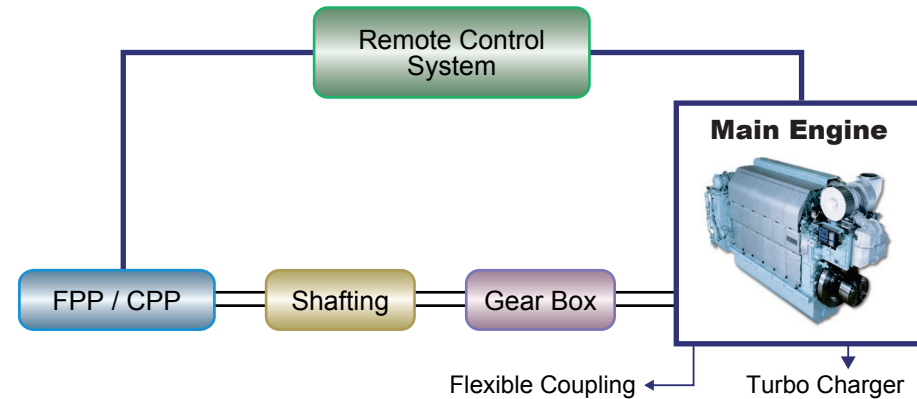
### Azimuth Thruster Propulsion Package

"Main Engine + Shafting + Z-PELLER® + Remote Control System"



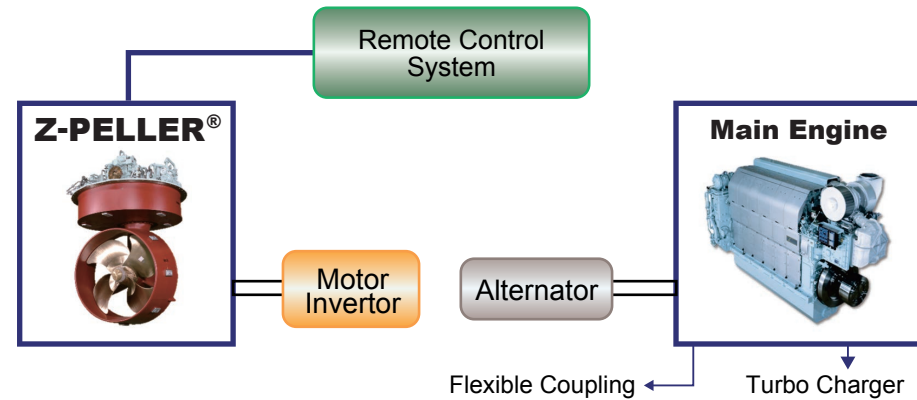
### Conventional Propulsion Package

"Main Engine + Gearbox + Shafting + FPP/CPP + Remote Control System"



### Diesel Electric Azimuth Propulsion Package

"Generator Sets + Diesel Electric Drive Z-PELLER®"



## Certifications / Applicable rules

ISO 9001 ISO 14001

IACS member International Association of Classification Societies